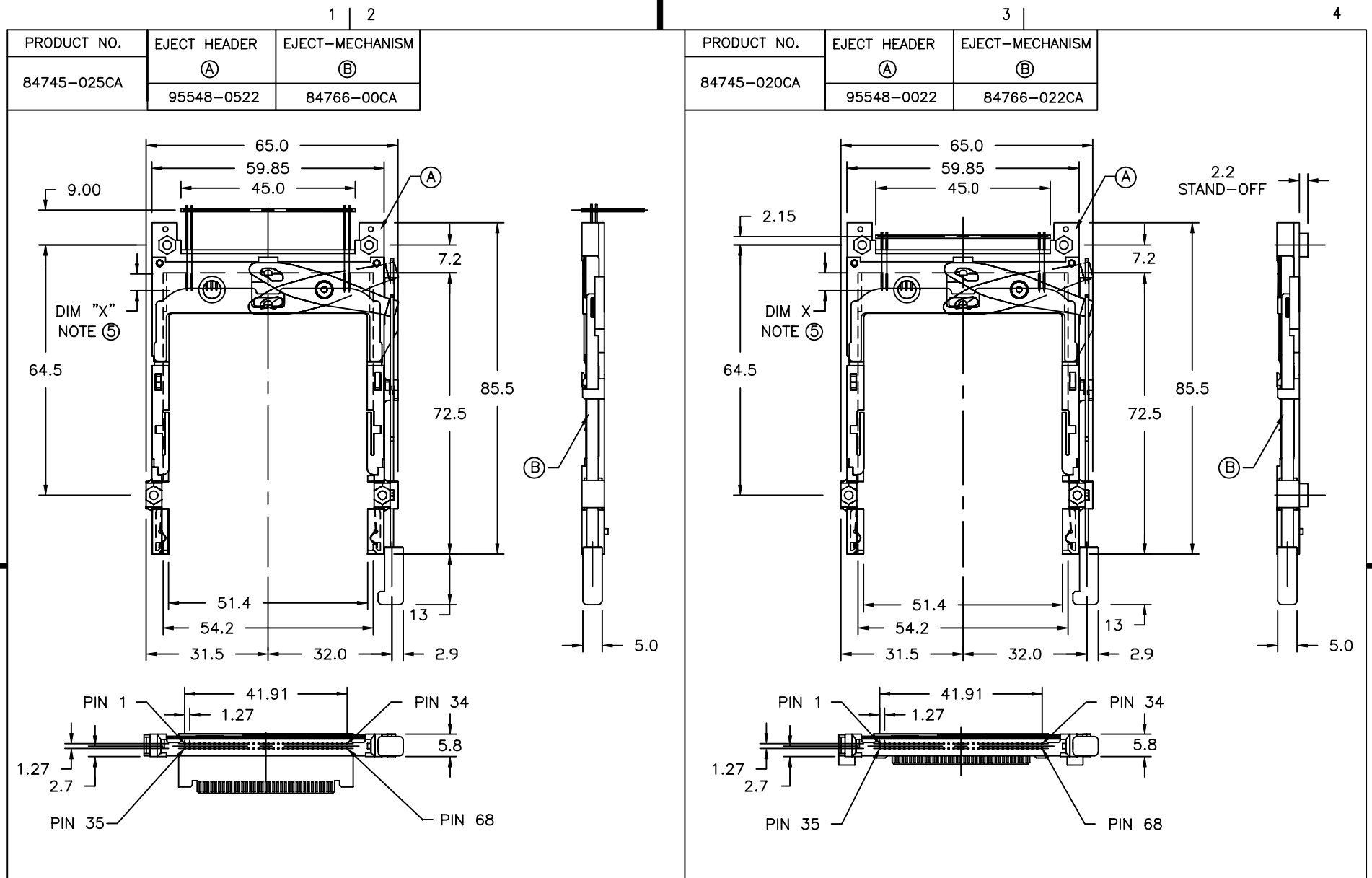


Tous droits strictement reserves. Reproduction ou communication a des tiers interdite sous quelque forme que ce soit sans autorisation ecrite du proprietaire. Propriete de c FCI. Droits de reproduction FCI.

All rights strictly reserved. Reproduction or issue to third parties in any form whatever is not permitted without written authority from the proprietor. Property of FCI. Copyright FCI.

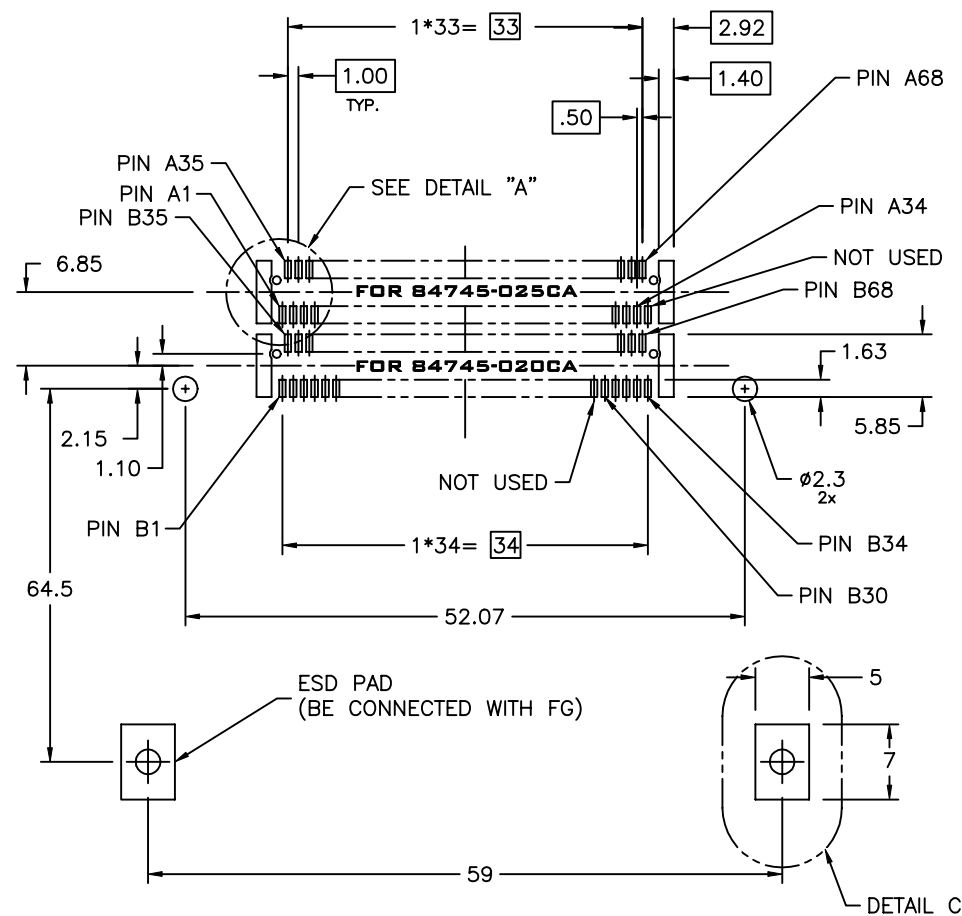


mat'l. code				tolerances unless otherwise specified		CUSTOMER COPY		Electronics www.fciconnect.com	
ltr	ecn no	dr	date	linear	.X±.3	projection		title	
A	V81413	RHG	8/24/98		.XX±.13			EJECTOR HEADER ASS'Y. SMT TYPE 123	
B	V81700	RGD	9/22/98		.XXX±.051			product family MCS	
C	V00431	RGD	1/19/00	angles	0° ±2°			size dwg no	
D	V20242	LP	1/30/02	dr	R.GRAPE 8/24/98			code	
				enr	D.BRANN 8/24/98			sheet	
				chr	D.BRANN 8/24/98			1 of 2	
				appd	D.BRANN 8/24/98				
sheet index		revision sheet		D	D	scale		A4	
				1	2	1:1		84745	

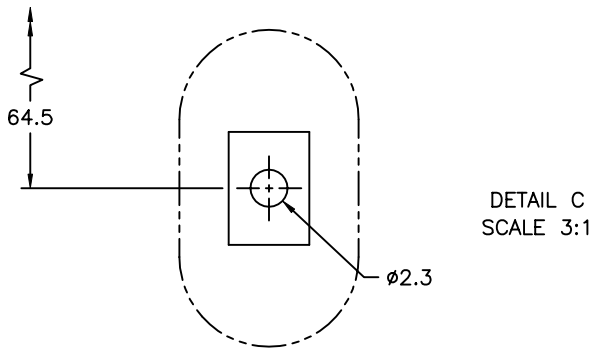
Tous droits strictement réservés. Reproduction ou communication à des tiers interdite sous quelque forme que ce soit sans autorisation écrite du propriétaire. Propriété de c FCI. Droits de reproduction FCI.

All rights strictly reserved. Reproduction or issue to third parties in any form whatever is not permitted without written authority from the proprietor. Property of FCI. Copyright FCI.

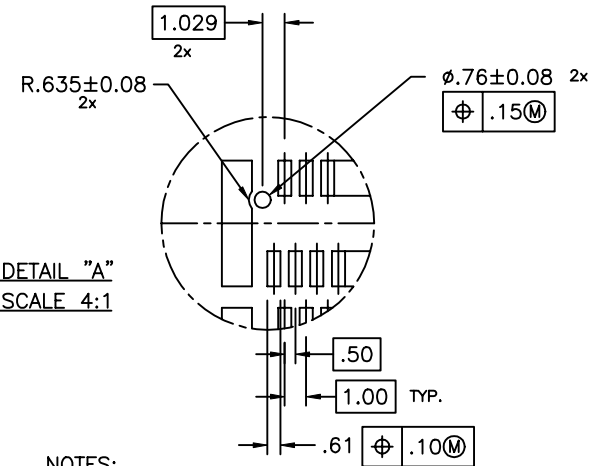
**DOUBLE DECK FOR STAND-OFF 2.2mm  
(ABOVE P.C.B.)**



**BOARD VIEW FROM CONNECTOR MOUNTED SIDE  
TOP OF BOARD IN APPLICATION**



**DETAIL C  
SCALE 3:1**



**DETAIL "A"  
SCALE 4:1**

**NOTES:**

- 1 8mm MIN CARD EJECT.
- 2 EJECT TRAVEL: 9.5mm
- 3 MATERIAL:
  - 3.1 HEADER ASSY:  
PLASTIC HOUSING: LCP UL94V-0 BLACK - ABOVE PCB  
PIN: PHOSPHOR BRONZE
  - 3.2 EJECT MECHANISM ASSY:  
PLASTIC GUIDE: POLYPHTHARAMID UL94V-0 BLACK  
PLASTIC PUSH-ROD BUTTON: POLYPHTHARAMID UL94V-0 BLACK  
COVER PLATE, EJECT PLATE, LINK ARM,  
PUSH ROD: STAINLESS STEEL  
EMI CONTACT: PHOSPHOR BRONZE
- 4 FINISH (PIN)
  - UNDER PLATING: 0.5um Ni
  - CONTACT AREA: 0.1um GOLD OVER
  - 0.5um Pd-Ni
  - SOLDER TAIL: 2.5um Sn-Pb

⑤ DIM "X"

4.25±0.1	3.5±0.1	5.0±0.1
OTHERS	36,67	1,17,34,35,51,68

6 MATING RECEPTACLE - 91931-31169.

mat'l. code				tolerances unless otherwise specified		CUSTOMER COPY		FCI Electronics www.fciconnect.com			
ltr	ecn no	dr	date	linear	.X±.3		projection	title			
D					.XX±.13			EJECTOR HEADER ASS'Y. SMT TYPE 123			
				angles	.XXX±.051		MM	product family			
					0° ±2°			MCS			
		dr	R.GRAPE	8/24/98	scale	1:1	A4	size			
		enr	D.BRANN	8/24/98				dwg no		code	
		chr	D.BRANN	8/24/98				84745		-	
		appd	D.BRANN	8/24/98				sheet		2 of	
sheet index		revision sheet									